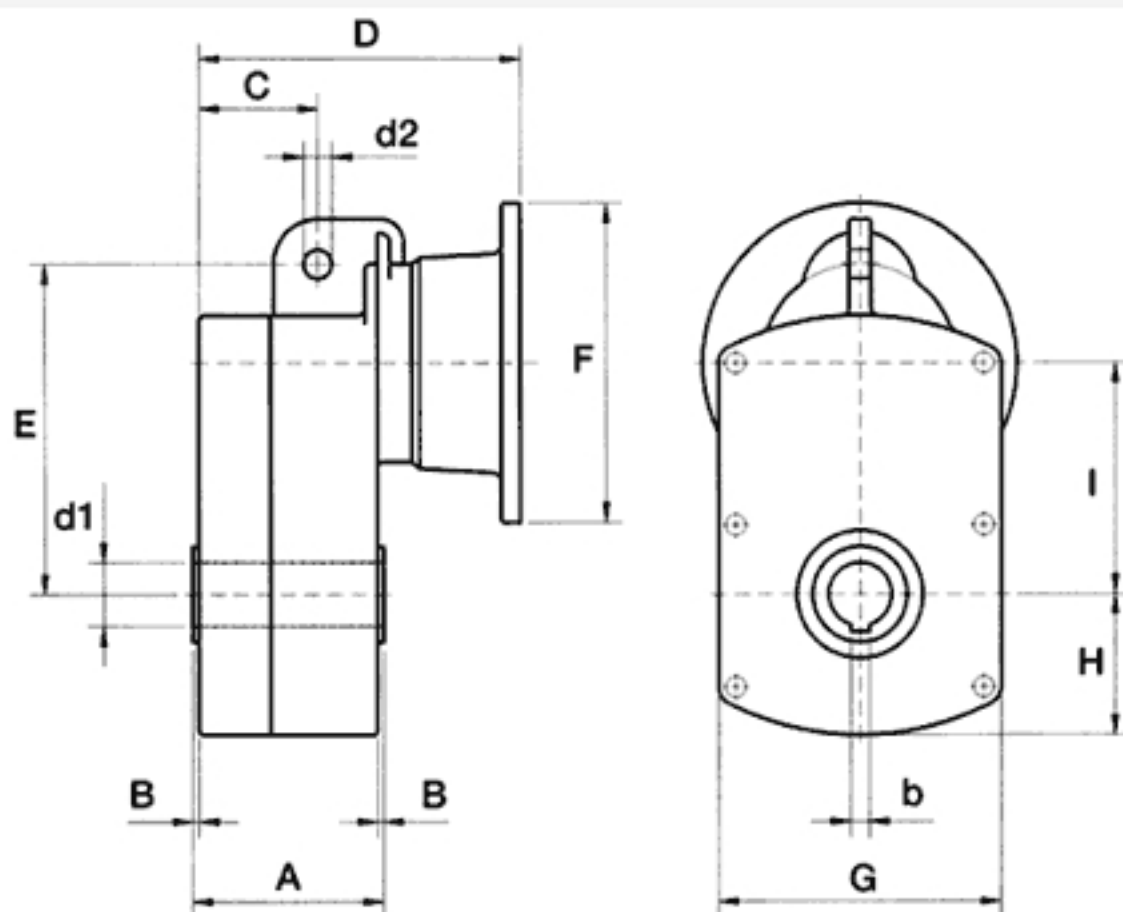


REDUCERS DIMENSIONS



TYPE	A	B	C	D	E	F	G	H	I	d1 H7	d2	b	weight	oil quantity
TP160	96	1	66	149 169	150	160 200	130	63	100	30	16	8	13 kg	0,5 lt
TP200	106	2	72	162 182	178	160 200	150	72	125	35	16	10	20 kg	0,8 lt
TP250	118	2	76	196 206	207	200 250	180	88	145	40	18	12	30 kg	1,0 lt
TP315	142	2	96	219 229	244	200 250	210	102	174	50	22	14	43 kg	2,0 lt
TP400	185	3	116	312	310	250 300	265	127	230	60	23	18	75 kg	4,0 lt
TP500	202	4	134	327	375	250 300	300	145	270	70	23	20	100 kg	5,0 lt

EXECUTION WITH BROACHED QUILL DIN 5482

TYPE	Ø INT.	Ø EXT.	Z	MOD.
TP160	31 H11	35 H12	18	1,75
TP200	36 H11	40 H12	20	1,9
TP250	41 H11	45 H12	22	2
TP315	50 H11	55 H12	26	2
TP400	60 H11	65 H12	30	2,10
TP500	69 H11	75 H12	34	2,10

The dimensions are in millimeters