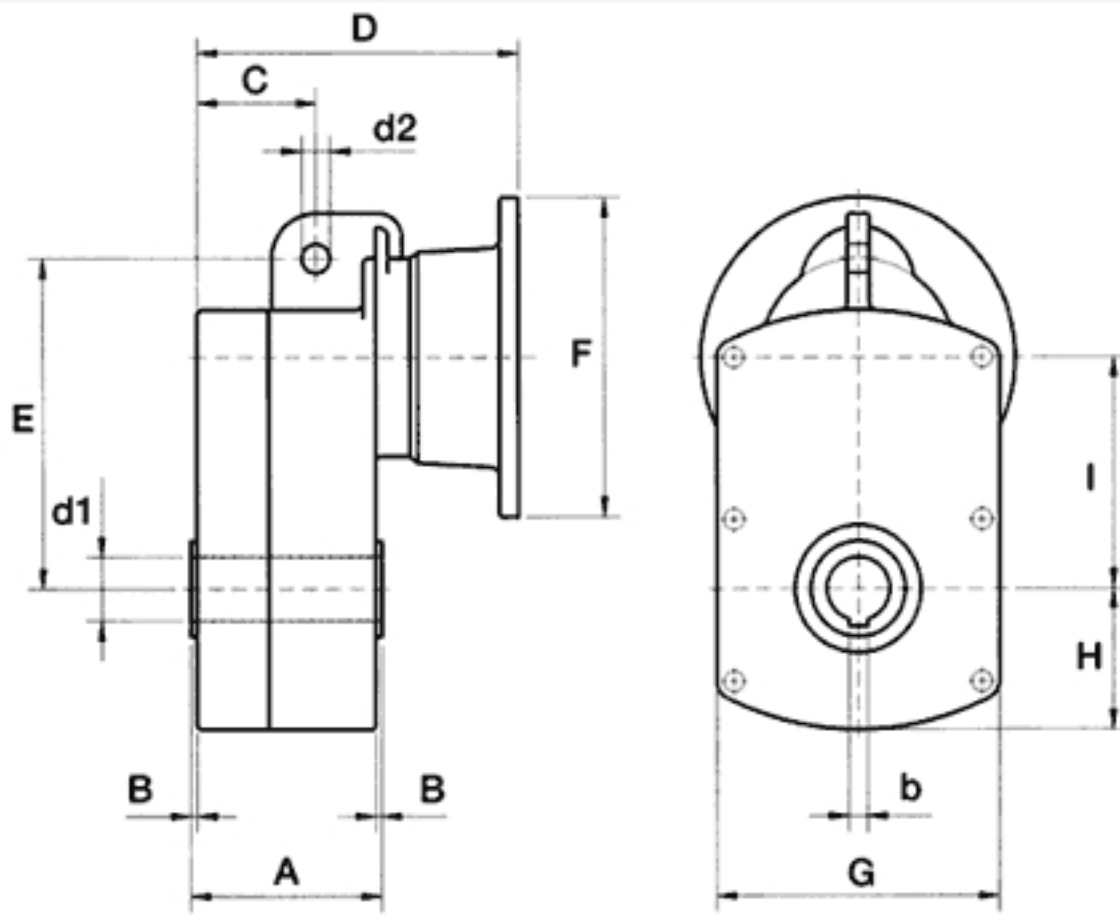


# TP 160 DIMENSIONS

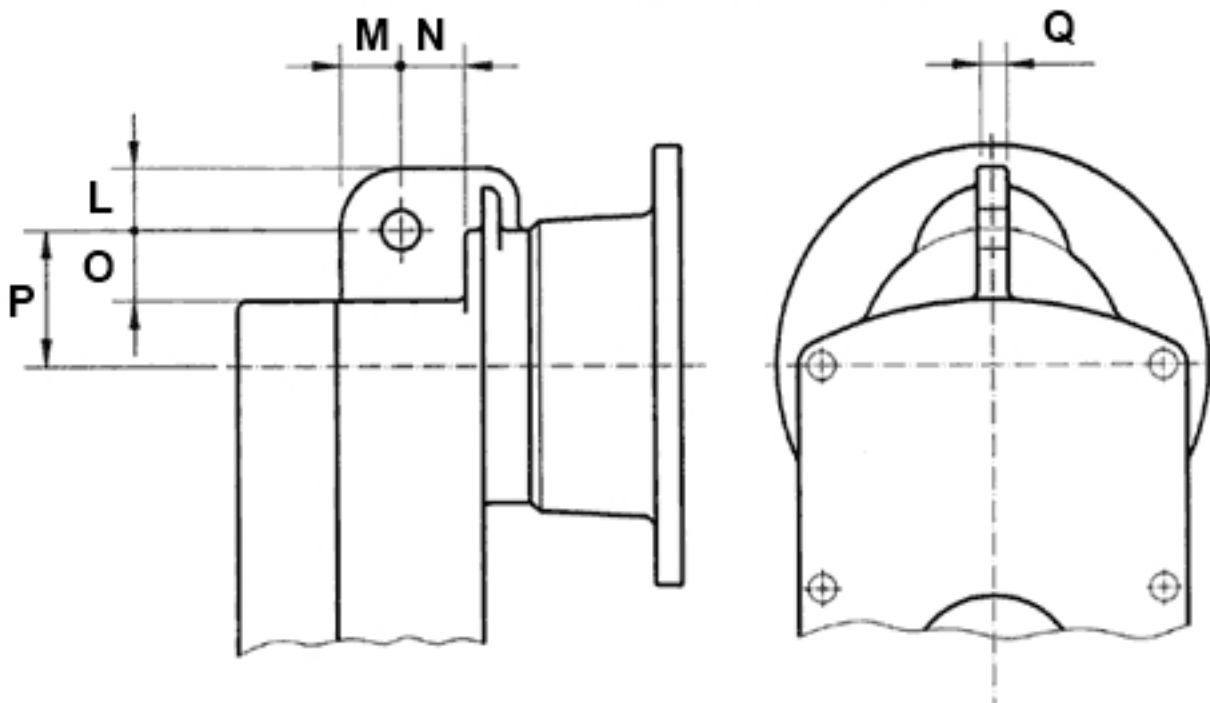


TYPE	A	B	C	D	E	F	G	H	I	d1 H7	d2	b	weight	oil quantity
TP160	96	1	66	149 169	150	160 200	130	63	100	30	16	8	13 kg	0,5 lt

## EXECUTION WITH BROACHED QUILL DIN 5482

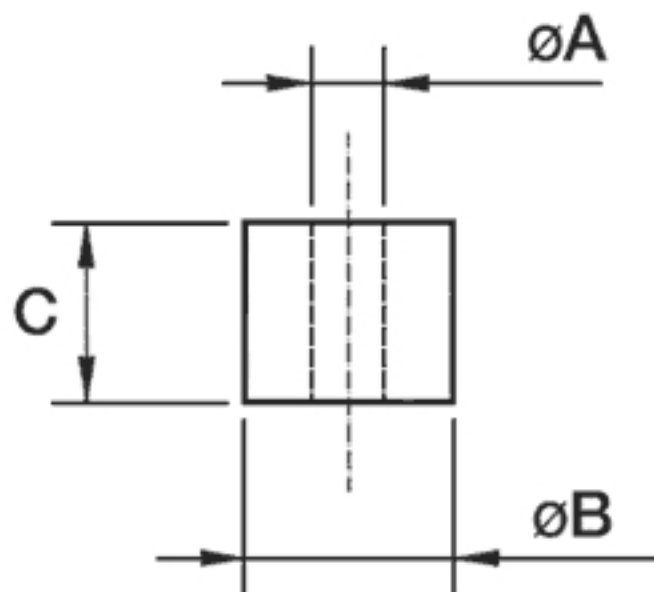
TYPE	Ø INT.	Ø EXT.	Z	MOD.
TP160	31 H11	35 H12	18	1,75

## DIMENSIONS OF REACTION ARM CONNECTION



TYPE	L	M	N	O	P	Q
TP160	25	24	20	25	50	15

## DIMENSIONS OF REACTIONS PADS



TYPE	Ø A	Ø B	C
TP160	14	32	30

The dimensions are in millimeters